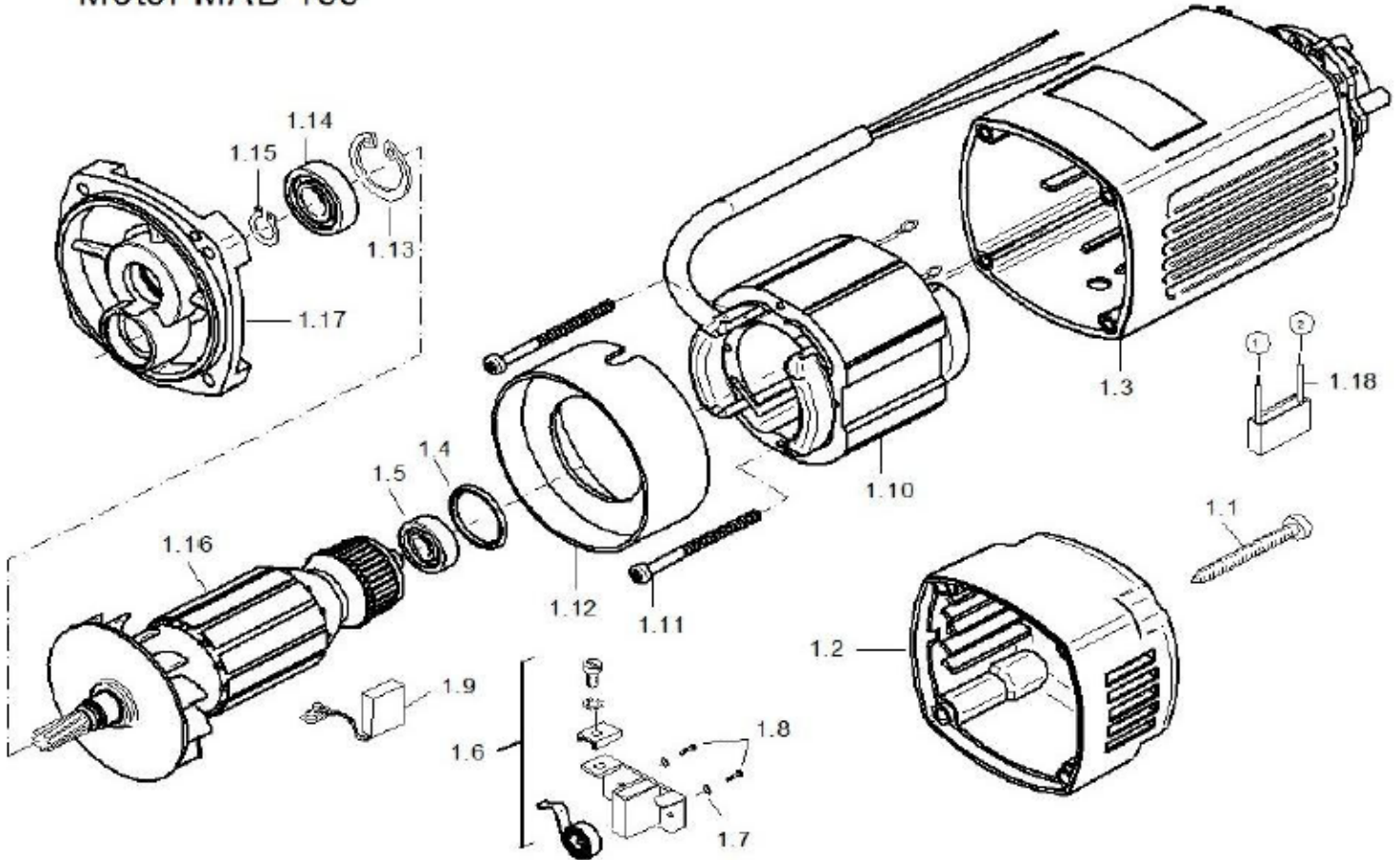


PLEASE SPECIFY TOOL MODEL # WHEN ORDERING PARTS

PARTS BREAKDOWN	Model #: MAB 155	Bulletin #: 11-2017
PARTS LISTING	Description: Portable Magnetic Drill	Prepared By: SCW
WIRING DIAGRAM	Date: 6/01/2017	

Motor MAB 155



PLEASE SPECIFY TOOL MODEL # WHEN ORDERING PARTS

PARTS BREAKDOWN	Model #: MAB 155	Bulletin #: 11-2017
PARTS LISTING	Description: Portable Magnetic Drill	Prepared By: SCW
WIRING DIAGRAM	Date: 6/01/2017	

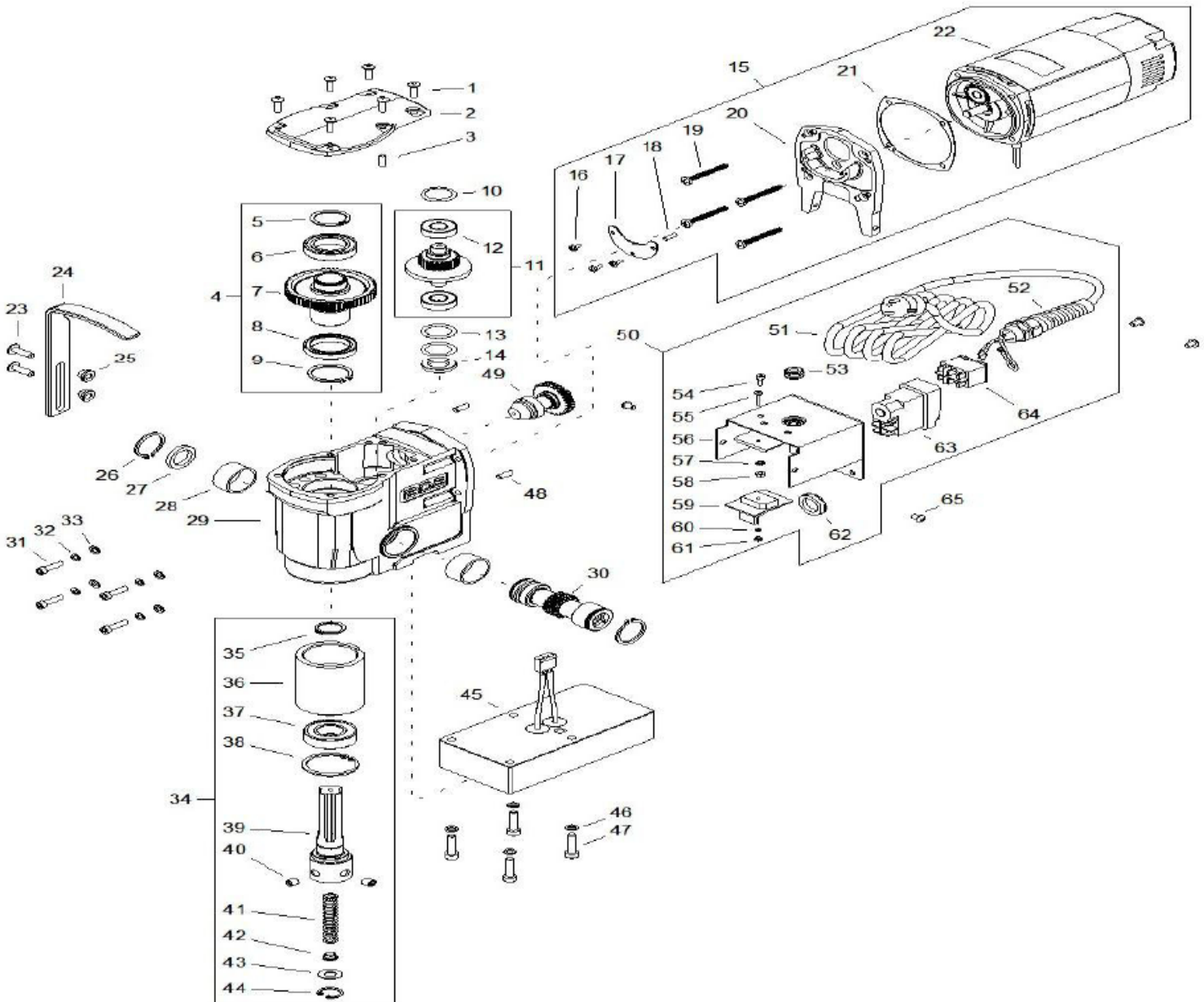
MAB 155 MOTOR PARTS LIST

Pos. #	Part #	Description	qty
1	5010581	Screw HC 4,8x45 DIN 7981	4
2	5015151	Cap for Motor Housing	1
3	5015161	Motor Housing	1
4	5010591	O-Ring 22x2.5	2
5	5010061	Ball Bearing 608 2Z	1
6	5010561	Carbon Brush Holder	2
7	5013981	Spring Washer B3 DIN 137	4
8	5013991	Self Tapping Screw ZM4x12	4
9	5010571	Carbon Brush 6.3x10x18	2
10	5015171	Field Coil - 110 V	1
	5015171	Field Coil - 230 V	
11	5010031	Screw HC 3.9 x 60 DIN 7981	2
12	5010251	Air Conducting Ring	1
13	5010271	Circlip 28/1.2 DIN 472	1
14	5010281	Ball Bearing 6001 2Z	1
15	5010061	Circlip Ring 10/1 DIN 471	1
16	5015211	Armature - 110V	1
	5015201	Armature - 230V	
17	5015221	Gearbox Bearing Plate	1
18	5012791	Decoupling Capacitor	1

PLEASE SPECIFY TOOL MODEL # WHEN ORDERING PARTS

PARTS BREAKDOWN	Model #: MAB 155	Bulletin #: 11-2017
PARTS LISTING	Description: Portable Magnetic Drill	Prepared By: SCW
WIRING DIAGRAM	Date: 6/01/2017	

MAB 155 STAND BREAKDOWN



PLEASE SPECIFY TOOL MODEL # WHEN ORDERING PARTS

PARTS BREAKDOWN	Model #: MAB 155	Bulletin #: 11-2017
PARTS LISTING	Description: Portable Magnetic Drill	Prepared By: SCW
WIRING DIAGRAM	Date: 6/01/2017	

MAB 155 STAND PARTS LIST

Pos. #	Part #	Description	QTY
1	6012601	Hexagon Socket Screw M5x15 DIN 7380	6
2	6014751	Cover for gearbox Housing	1
3	6014761	Cylinder pin 5m6x14 DIN 6235	3
4	6015921	Gear Shaft Complete	1
5	6012991	Circlip Ring 25Z Type A	1
6	6015931	Ball Bearing 25x42x9	1
7	6015641	Gear Shaft	1
8	6012921	Ball Bear 6806 LLU	1
9	6011921	Circlip Ring outside 30x1.5 DIN 471	1
10	6015921	Cup Spring 27199x21,74x01,3	1
11	6015961	Pinion Shaft	1
12	5010081	Ball Bearing 6001 2Z	2
13	5012321	Washer 20x28x0,1 DIN 988	2
14	6015971	Adjusting Disc	1
15	6155101 6155001	Motor Complete - 110 V Motor Complete - 230 V	1
16	6050181	Screw with Cross Slot M3x8 DIN 7985	3
17	6015981	Cover for gear	1
18	7012441	Cylinder Pin 4m6x12 DIN 6325	1
19	6051191	Screw 5x40 BN13577	4
20	6016151	Cover for Motor	1
21	6014641	Gear Box Seal	1
22	5101551 5001551	Motor 110 V - including Bearing Plate Motor 230 V - including Bearing Plate	1
23	6012871	Hexagon socket cylinder head screw M6x20	2
24	6015991	Handle	1
25	6016011	jack for handle	2
26	6010931	circlip ring for gear wheel	2
27	6016021	gasket	1
28	6013871	bush bearing 28,05H7x32x16	2
29	6016031	Housing	1
30	6016041	Shaft for gear wheel	1
31	6010841	Hexagon socket cylinder head screw M5x20	4
32	6012331	Spring Washer 5,1 DIN 128	4

PLEASE SPECIFY TOOL MODEL # WHEN ORDERING PARTS

PARTS BREAKDOWN	Model #: MAB 155	Bulletin #: 11-2017
PARTS LISTING	Description: Portable Magnetic Drill	Prepared By: SCW
WIRING DIAGRAM	Date: 6/01/2017	

MAB 155 STAND PARTS LIST

Pos. #	Part #	Description	QTY
33	6011501	Washer 5,3 DIN 433	4
34	6016051	Hollow Shaft Complete	1
35	6012401	Circlip Ring outside 20 teeth DIN 471	1
36	6016061	Support for Hooly Shaft	1
37	5012281	Ball Bearing 6004 2Rs	1
38	6012381	Circlip Ring inside 42 W	1
39	6016071	Spindle	1
40	6010181	Hexagon socket set screw M8x8 DIN 913	2
41	6012471	Spring for Arbor	1
42	6012481	Washer	1
43	6016081	Washer 18,8x10x1	1
44	5013381	Circlip ring inside 19W	1
45	6016091	Magnet (electric)	1
46	6010021	Spring Washer 6,1 DIN 7980	4
47	6010111	Hexagon socket head cap screw M^x25	4
48	6016101	Hexagon socket secrew M5x8 DIN 7380	4
49	Pinion Shaft	Pinion Shaft	1
50	6016121 6016131	Switch Plate Complete with PC Board - 110 V Switch Plate Complete with PC Board - 230 V	1
51	7010052 7010242 7010042	Connection Cable 110 V with GB Plug Connection Cable 110V with US Plug Connection Cable 230 V with Plug	1
52	7010031	Mains Cable Gland PG11	1
53	6012711	Holder for Electronic System LA6	1
54	4000111	Hexagon socket cylinder head screw M4x10	1
55	6015791	Flat Head Screw with Cross Slot M3x16	1
56	6016141	Housing for Electronics	1
57	6011371	Lock washer 4,3 DIN 6797-A	1
58	4010271	Nut M\$ DIN 934-8	1
59	6012552 6012462	Control Board - 110V Control Board - 230 V	1

PLEASE SPECIFY TOOL MODEL # WHEN ORDERING PARTS

PARTS BREAKDOWN	Model #: MAB 155	Bulletin #: 11-2017
PARTS LISTING	Description: Portable Magnetic Drill	Prepared By: SCW
WIRING DIAGRAM	Date: 06/01/2017	

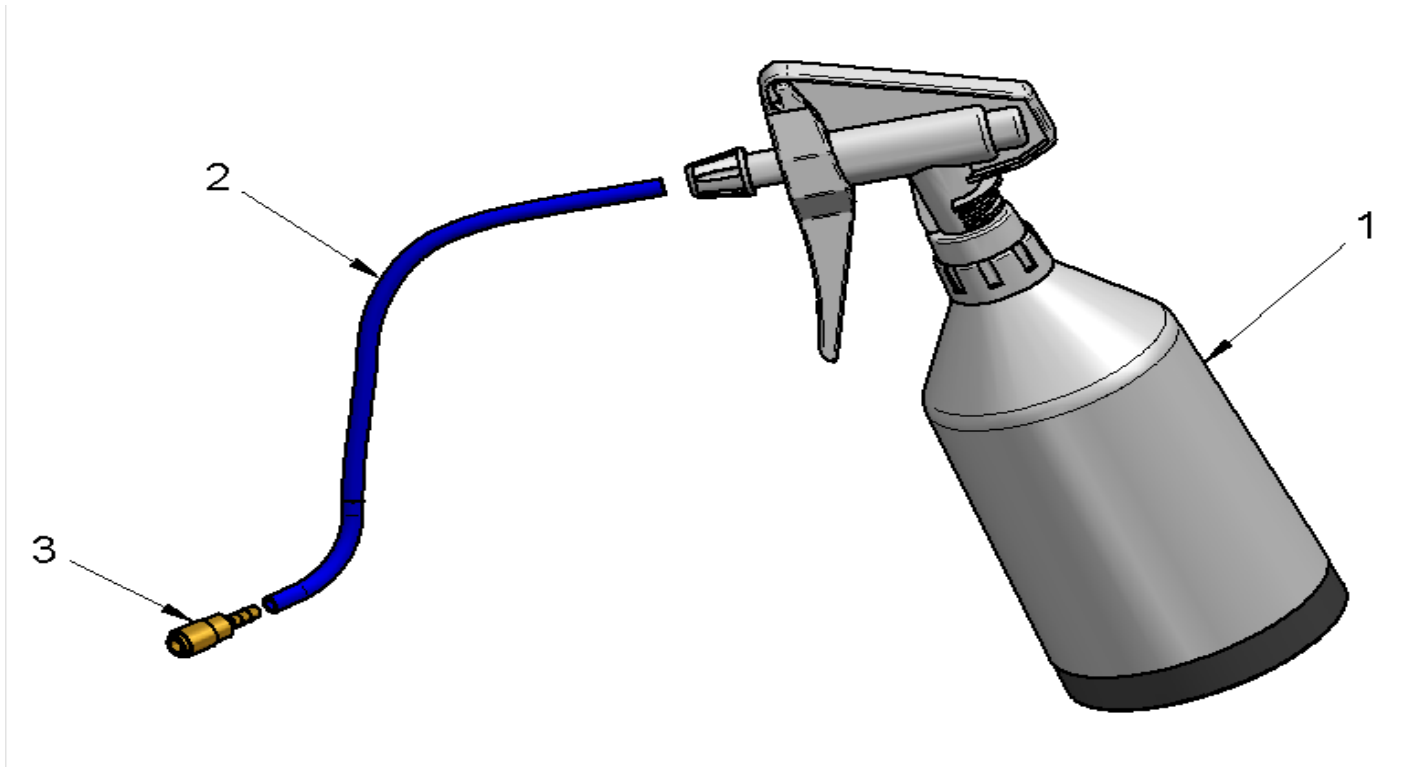
MAB 155 STAND PARTS LIST - continued

Pos. #	Part #	Description	QTY
52	7010031	Mains Cable Gland PG11	1
53	6012711	HOLDER for Electronic System LA6	1
54	4000111	Hexagon Scket Cylinder Head screw M\$x10	1
55	6015791	Flat Head Scerw with Cross Slot M3x16	1
56	6016141	Housing for Electronics	1
57	6011371	Lock Washer 4,3 DIN 6797-A	1
58	4010271	Nut M4 DIN 934-8	1
59	6012552	Control Board 110 V	1
	6012462	Control Board 230 V	
60	6014271	Spring Ring 3,2 DIN 128	1
61	6014261	Nut M3 DIN 934	1
62	6014251	Cord Grip Round	1
63	7012161	Actuator 110V	1
	7012151	Actuator 230 V	
64	7010142	Magnet Switch - 4 connection Terminals	1

PLEASE SPECIFY TOOL MODEL # WHEN ORDERING PARTS

PARTS BREAKDOWN	Model #: MAB 155	Bulletin #: 11-2017
PARTS LISTING	Description: Portable Magnetic Drill	Prepared By: SCW
WIRING DIAGRAM	Date: 6/01/2017	

MAB 155 INTERNAL LUBRICATION



INTERNAL LUBRICATION PARTS LIST

Pos. #	Part #	Description
1	ZKK 150	Oil pump bottle
2	ZKK 150S	Cooling tube
3	ZSS 200K	Quick Coupling
4	ZKK 150 C	Coolant Bottle Manual Pump for MAB 155 Complete

PLEASE SPECIFY TOOL MODEL # WHEN ORDERING PARTS

PARTS BREAKDOWN	Model #: MAB 155	Bulletin #: 11-2017
PARTS LISTING	Description: Portable Magnetic Drill	Prepared By: SCW
WIRING DIAGRAM	Date: 6/01/2017	

MAB 150 WIRING DIAGRAM - 110V

